

# UCW系列无刷交流同步发电机

## UCW Series Brushless Synchronous Alternators

表1 Table 1

| 机座号<br>Frame<br>no. | 1500r/min           |      |                  |              | 1000r/min           |     |                  |              |
|---------------------|---------------------|------|------------------|--------------|---------------------|-----|------------------|--------------|
|                     | 额定功率<br>Rated power |      | 效率<br>Efficiency | 重量<br>Weight | 额定功率<br>Rated power |     | 效率<br>Efficiency | 重量<br>Weight |
|                     | kVA                 | kW   | %                | Kg           | kVA                 | kW  | %                | Kg           |
| 225                 | 37.5                | 30   | 88.5             | 300          |                     |     |                  |              |
| 225                 | 50                  | 40   | 89.4             | 360          |                     |     |                  |              |
| 225                 | 62.5                | 50   | 90               | 380          |                     |     |                  |              |
| 250M                | 80                  | 64   | 90.2             | 440          |                     |     |                  |              |
| 250M                | 93.75               | 75   | 90.6             | 540          |                     |     |                  |              |
| 250M                | 112.5               | 90   | 91               | 570          |                     |     |                  |              |
| 250M                | 125                 | 100  | 91.6             | 610          |                     |     |                  |              |
| 250L                | 150                 | 120  | 91.8             | 710          |                     |     |                  |              |
| 315M                | 187.5               | 150  | 92.2             | 760          |                     |     |                  |              |
| 315M                | 225                 | 180  | 92.8             | 840          |                     |     |                  |              |
| 315M                | 250                 | 200  | 92.2             | 900          | 200                 | 160 | 91.8             | 1000         |
| 315L                | 312.5               | 250  | 92.6             | 980          | 225                 | 180 | 92.2             | 1100         |
| 315L                | 350                 | 280  | 93               | 1060         |                     |     |                  |              |
| 315L                | 375                 | 300  | 93.3             | 1180         |                     |     |                  |              |
| 315L                | 400                 | 320  | 93.8             | 1300         |                     |     |                  |              |
| 355S                | 437.5               | 350  | 93.1             | 1410         | 250                 | 200 | 92.5             | 1180         |
| 355S                | 437.5               | 350  | 93.1             | 1410         | 312.5               | 250 | 92.2             | 1300         |
| 355M                | 500                 | 400  | 93.5             | 1460         | 350                 | 280 | 92.4             | 1400         |
| 355M                | 562.5               | 450  | 94               | 1630         | 375                 | 300 | 92.6             | 1500         |
| 355L                | 625                 | 500  | 94.2             | 1760         | 400                 | 320 | 92.8             | 1600         |
| 355L                |                     |      |                  |              | 437.5               | 350 | 93               | 1700         |
| 400M                |                     |      |                  |              | 500                 | 400 | 92.3             | 2000         |
| 400M                | 700                 | 560  | 93.4             | 2000         | 562.5               | 450 | 92.6             | 2100         |
| 400M                | 787.5               | 630  | 93.8             | 2150         | 625                 | 500 | 92.9             | 2200         |
| 400L                | 875                 | 700  | 94               | 2230         |                     |     |                  |              |
| 400L                | 937.5               | 750  | 94.2             | 2420         |                     |     |                  |              |
| 400L                | 1000                | 800  | 94.5             | 2600         | 700                 | 560 | 93.2             | 2500         |
| 400L                | 1125                | 900  | 94.8             | 2780         | 787.5               | 630 | 93.6             | 2700         |
| 400L                | 1250                | 1000 | 95               | 2940         | 875                 | 700 | 94               | 2900         |

# UCW系列无刷交流同步发电机

## UCW Series Brushless Synchronous Alternators

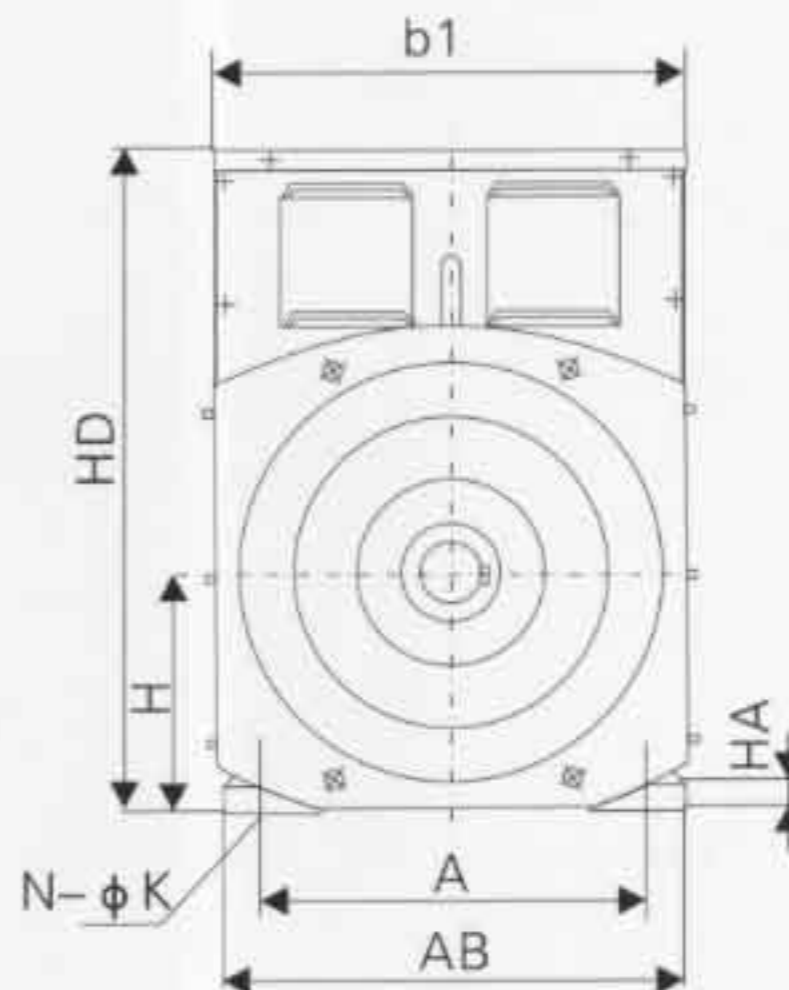
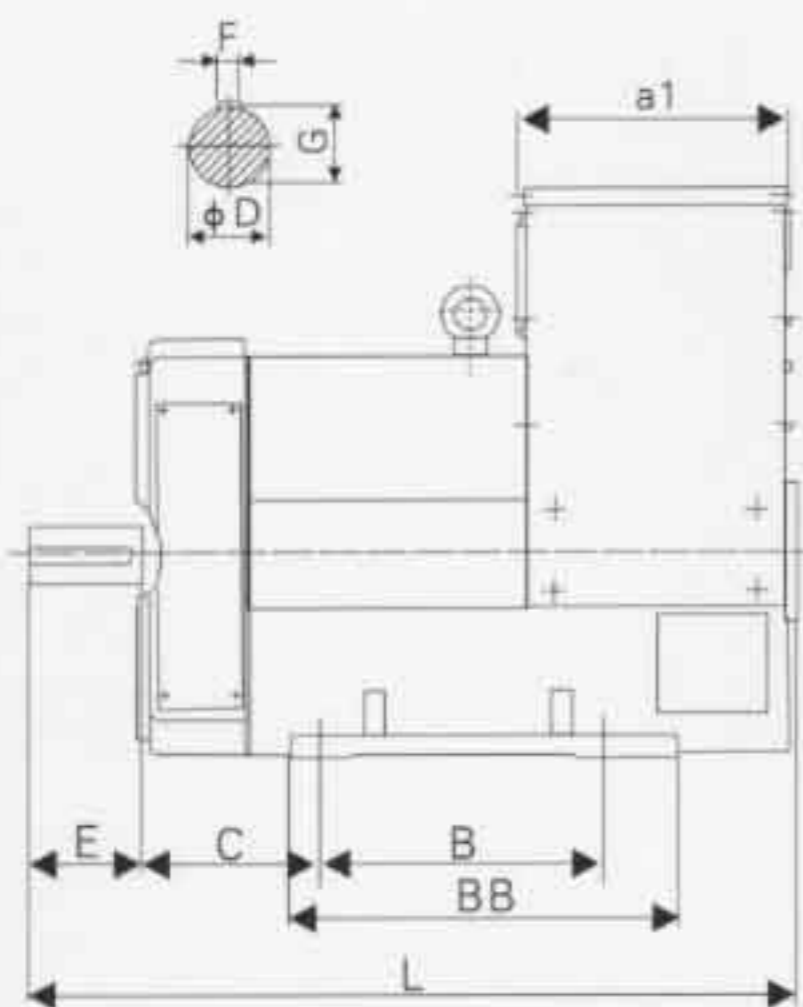


表2 Table 2

| 机座号<br>Frame No. | A   | AB  | B   | BB  | C   | C1  | D   | E   | E1   | F  | G    | H   | HA | HD   | N-φK    | L    | L1   | P       | Q     | Q1    | R | U   | a1  | b1  | d     | e1   |
|------------------|-----|-----|-----|-----|-----|-----|-----|-----|------|----|------|-----|----|------|---------|------|------|---------|-------|-------|---|-----|-----|-----|-------|------|
| 225M             | 356 | 440 | 0   | 200 | 319 | 300 | 60  | 140 | 39.7 | 18 | 53   | 225 | 20 | 690  | 2-φ18.5 | 840  | 740  | 409.58  | 428.6 | 333.3 | 6 | 480 | 320 | 445 | 352.4 |      |
| 250M             | 406 | 486 | 349 | 476 | 224 | 240 | 70  | 140 | 39.7 | 20 | 62.5 | 250 | 28 | 750  | 4-φ24   | 960  | 910  | 5118.18 | 530.2 | 333.3 | 6 | 566 | 320 | 520 | 352.4 |      |
| 250L             | 406 | 486 | 406 | 476 | 224 | 240 | 70  | 140 | 39.7 | 20 | 62.5 | 250 | 28 | 750  | 4-φ24   | 960  | 1010 | 5118.18 | 530.2 | 333.3 | 6 | 566 | 320 | 520 | 352.4 |      |
| 315M             |     |     | 457 | 557 |     |     |     |     |      |    |      |     |    |      |         | 1265 |      |         |       |       |   |     |     |     | 575   |      |
|                  | 508 | 600 |     |     | 254 |     | 95  | 170 |      | 25 | 86   | 315 | 35 | 795  | 4-φ28   |      |      |         |       |       |   |     | 400 | 250 |       | 675  |
| 315L             |     |     | 508 | 608 |     |     |     |     |      |    |      |     |    |      |         | 1365 |      |         |       |       |   |     |     |     |       |      |
| 355M             | 610 | 690 | 560 | 730 | 280 |     | 100 | 170 |      | 28 | 90   | 355 | 35 | 935  | 4-φ28   | 1435 |      |         |       |       |   |     | 470 | 730 |       |      |
| 355L             | 610 | 690 | 630 | 730 | 280 |     | 100 | 170 |      | 28 | 90   | 355 | 35 | 935  | 4-φ28   | 1435 |      |         |       |       |   |     | 470 | 730 |       |      |
| 400M             |     |     | 630 | 730 |     |     | 100 | 170 |      |    | 90   |     |    |      |         | 1470 |      |         |       |       |   |     |     |     |       | 712  |
|                  | 686 | 845 |     |     | 335 |     |     |     |      | 28 |      | 400 | 50 | 1010 | 4-φ35   |      |      |         |       |       |   |     | 470 | 300 |       |      |
| 400L             |     |     | 800 | 900 |     |     | 110 | 210 |      |    | 100  |     |    |      |         | 1762 |      |         |       |       |   |     |     |     |       | 1050 |

注意: 1.以上尺寸仅供参考,确切尺寸见产品各自的外形尺寸安装图。

2.对有IMB20、B5、B14等外形安装要求的, 请向制造厂查询。

Note: 1. The above dimensions are only for reference, and the accurate dimensions are shown in the respective outline and mounting diagrams of the products.

2. Please consult with the manufacturer about the products with IMB20, B5 and B14 outline mounting requirements.