

T2W3-N 系列三相无刷同步发电机

T2W3-N Series Brushless Synchronous Alternator

Type of Designation



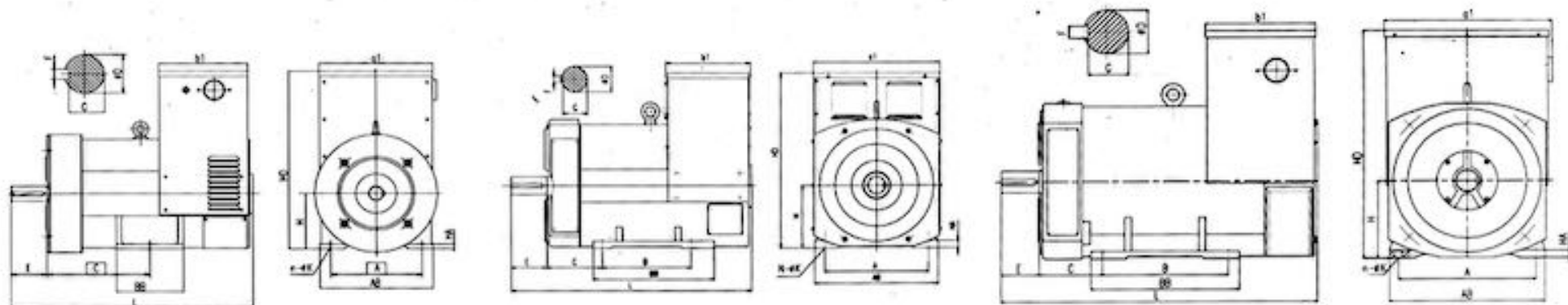
Specification and Parameters

1. Alternator can normally running under the condition below:
 - 1.1 Altitude: $\leq 1000\text{m}$
 - 1.2 Ambient temperature: $\leq 40^{\circ}\text{C}$ (Automatic Voltage Regulator: $\leq 50^{\circ}\text{C}$)
 - 1.3 Relative Humidity in Air: 95%(at 25°C)
 - 1.4 Salt Spray, Condensed Dew and Mycete: affective
2. Rated Voltage: 400V, 3-phases and 4-wires
3. Rated Power Factor: 0.8(lag)
4. Rated Frequency: 50Hz/60Hz
5. Voltage Setting Range: $\pm 5\%U_n$
6. Steady Voltage Setting Range: $\pm 1\%$
7. Transient Voltage Regulation: $85\% \sim 120\%U_n, \leq 1.5\text{s}$
8. Sinusoid Wave Form Distortion of linear Voltage: $\leq 5\%$
9. 10% Overload in hot State Running: 1h

型号 Type	机座号 Frame No	额定容量 Rated output (kVA)	额定功率 Rated power (kW)	额定电流 Rated current (A)	额定转速 Rated speed (r/min)	效率 Efficiency (%)	重量 Weight (kg)
T2W3-N-20	200S	25	20	36	1500	81	218
T2W3-N-24		30	24	43.3	1500	84.0	235
T2W3-N-30		37.5	30	54.1	1500	86.0	263
T2W3-N-40	225M	50	40	72.2	1500	89	380
T2W3-N-50		62.5	50	90.2	1500	90.0	420
T2W3-N-64	225L	80	64	115	1500	90.2	460
T2W3-N-75		93.8	75	135	1500	90.3	500
T2W3-N-90	250S	112.5	90	162	1500	90.5	560
T2W3-N-100	250L	125	100	180	1500	91.0	610
T2W3-N-120		150	120	217	1500	91.0	660
T2W3-N-150	315M	187.5	150	271	1500	92	1040
T2W3-N-200		250	200	361	1500	92.5	1180
T2W3-N-250	315M	312.5	250	451	1500	93	1370
T2W3-N-300	315L	375	300	541	1500	93.5	1470
T2W3-N-320		400	320	577	1500	93.5	1470
T2W3-N-350	355M	437.5	350	631	1500	93.5	1500
T2W3-N-400		500	400	721.5	1500	94.5	1650
T2W3-N-450		562.5	450	811	1500	93.5	1700
T2W3-N-500	355L	625	500	902	1500	94	1900
T2W3-N-630	400M	787.5	630	1136	1500	94.4	2320
T2W3-N-700		875	700	1263	1500	94	2480
T2W3-N-800	400L	1000	800	1443	1500	95	2960
T2W3-N-900		1125	900	1624	1500	95	3050

外形及安装尺寸 Outline and Installation Diagrams

双轴承安装尺寸表 Double Bearings Alternator Installation dimension



机座号 Frame	A	AB	B	BB	C	D	E	F	G	H	HA	HD	N-ΦK	L	a1	b1	
200S	279	370	0	200	292.5	48	110	14	42.5	160	12	535	2-Φ14	710	400	252	
225M	356	440	0	200	319	60	140	18	52	225	16	725	2-Φ19	865	470	355	
225L			159	260									4-Φ19	940			
250M	406	476	349	476	224	70		20	62.5	250	25	800	4-Φ24	970	520	450	
250L			406											1070			
315M	508	620	457	558 608	254	95	170	25	86	315	35	900	4-Φ28	1240	660	440	
315L			508	608										1340			
355M	610	690	560	660	280	100		28	90	355	1005	1145		4-Φ35	1430	750	490
355L			630	730											1530		
400M	686	845	630	730	335	110	210		100	400	50	1145	4-Φ35		1610	820	490
400L			800	900		115			105						1785		